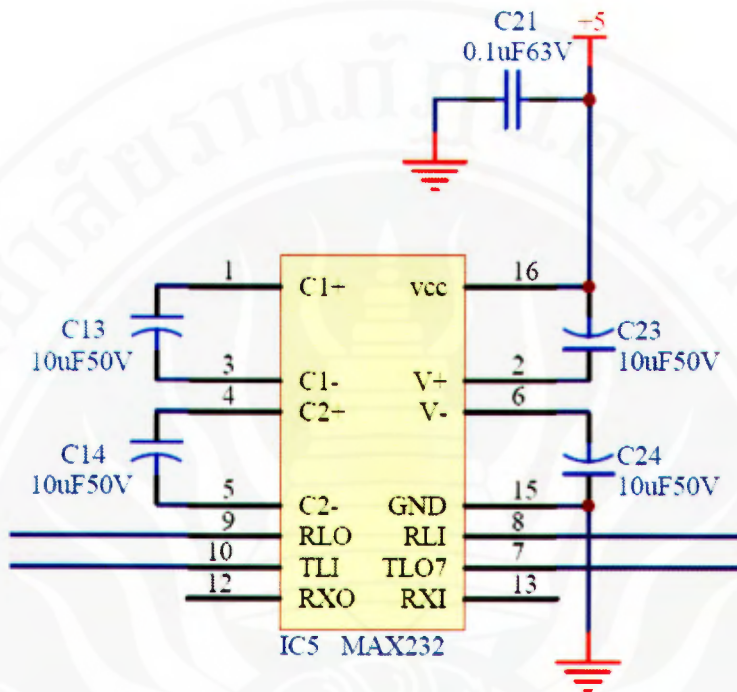
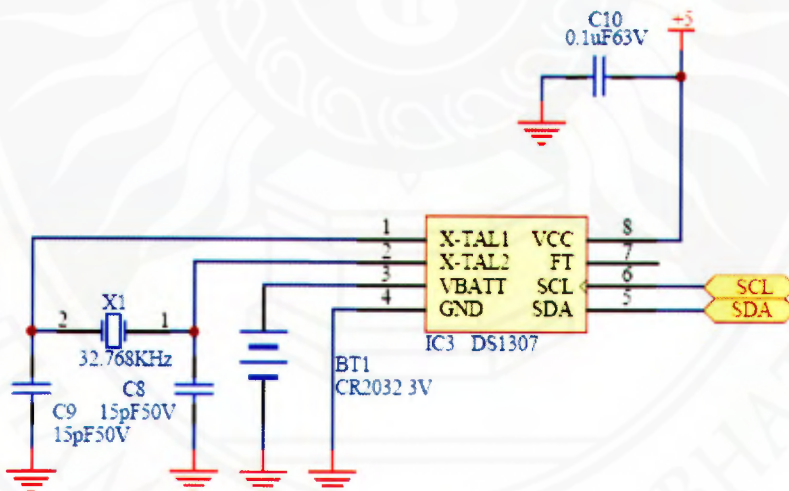


ภาคผนวก ก

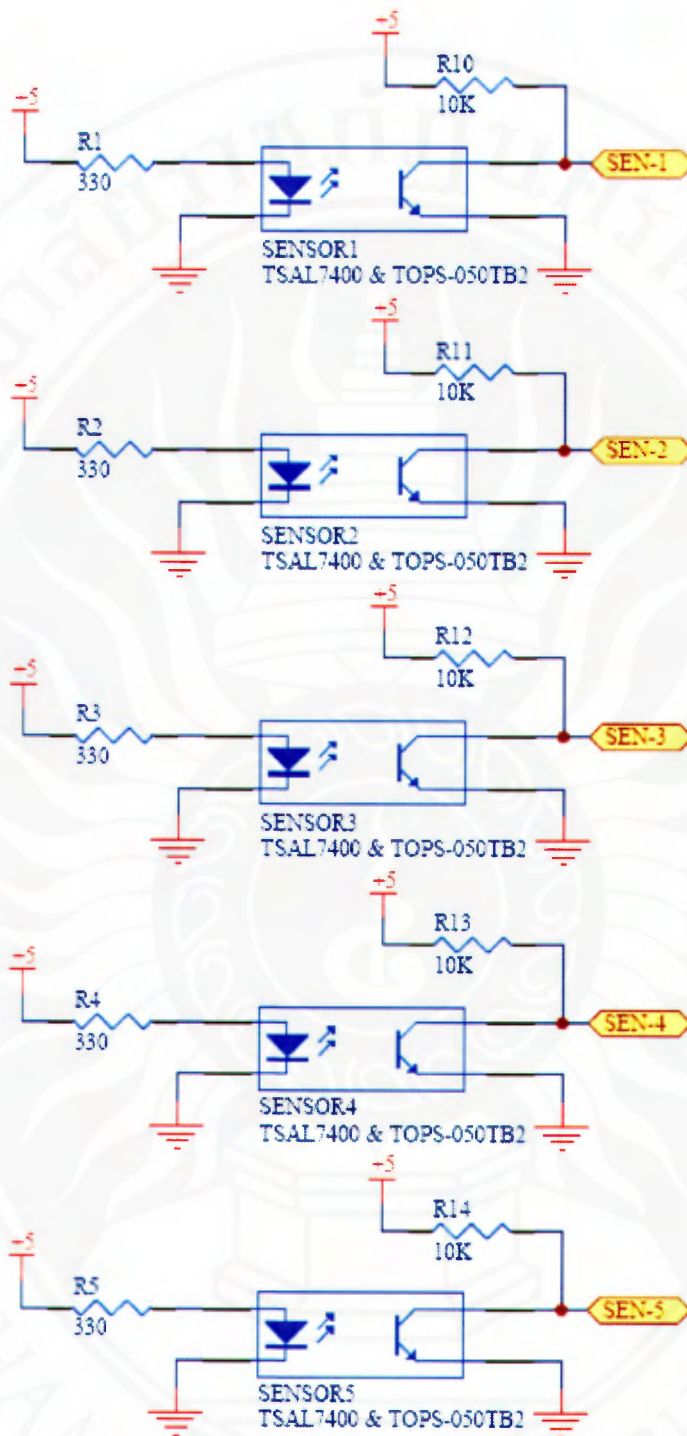
วงจรไฟฟ้าและอิเล็กทรอนิกส์ของเครื่องมือวัดและเชื่อมต่อคอมพิวเตอร์



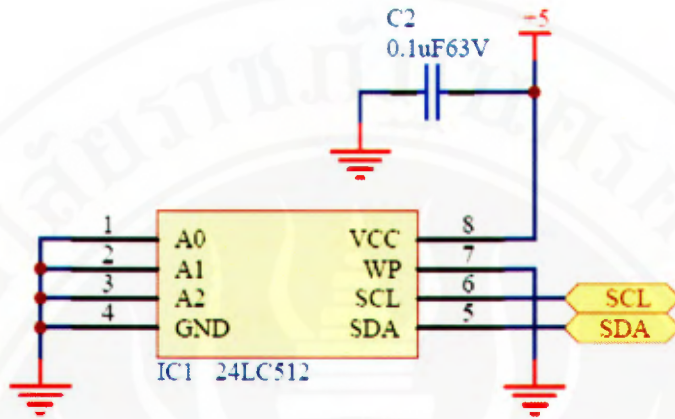
ภาพที่ ก-2 วงจรชุดเชื่อมต่อข้อมูลจากไมโครคอนโทรลเลอร์ไปยังคอมพิวเตอร์



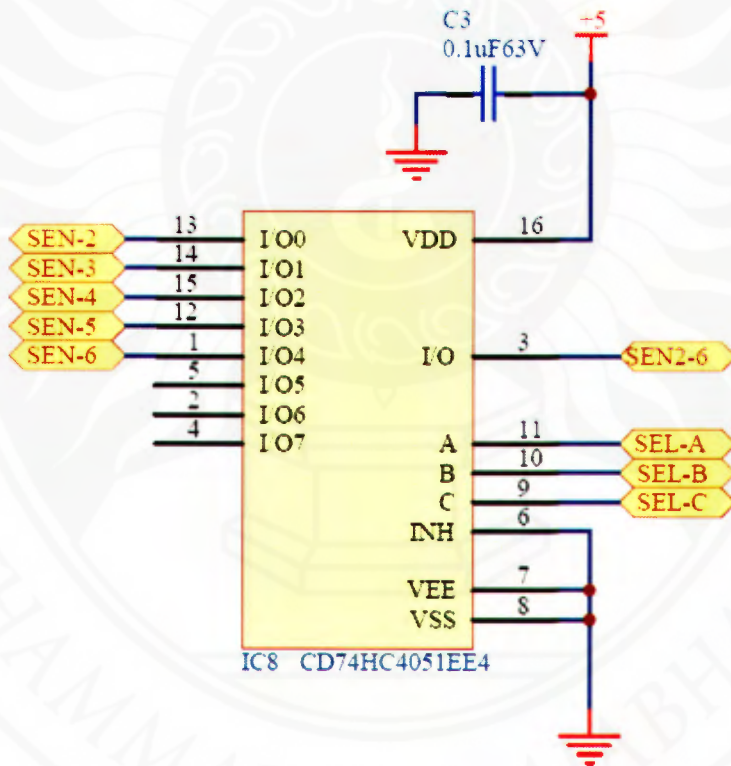
ภาพที่ ก-3 วงจรชุดนาฬิกาเวลาจริง (real time clock)



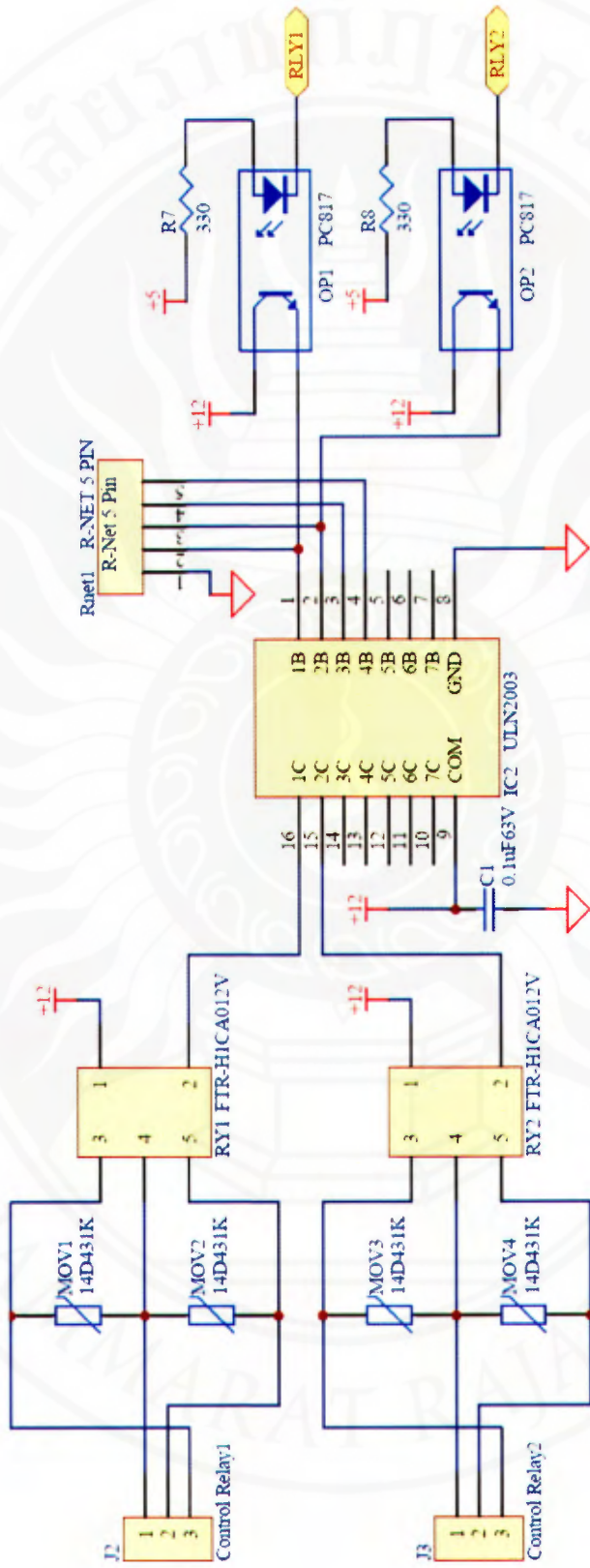
ภาพที่ ก-4 วงจรชุดเซ็นเซอร์ตรวจจับวัตถุ



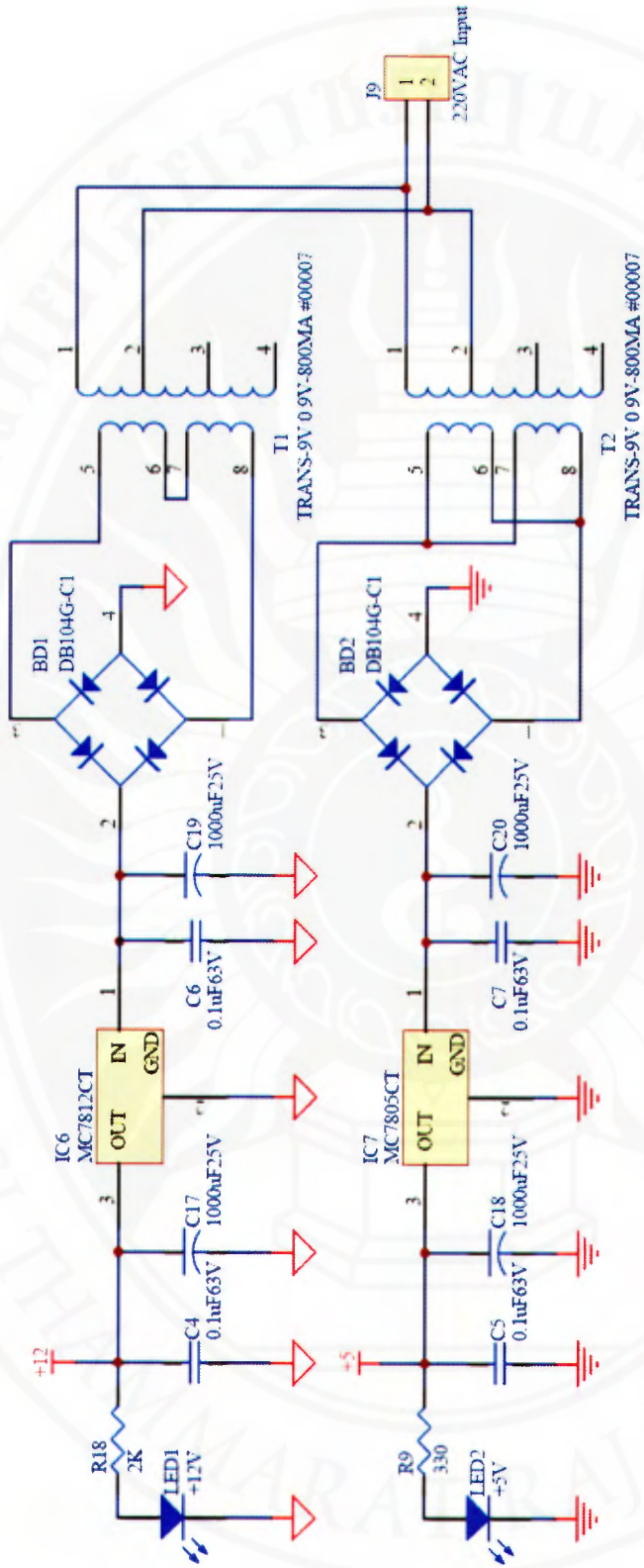
ภาพที่ ก-5 วงจรชุดหน่วยเก็บข้อมูล



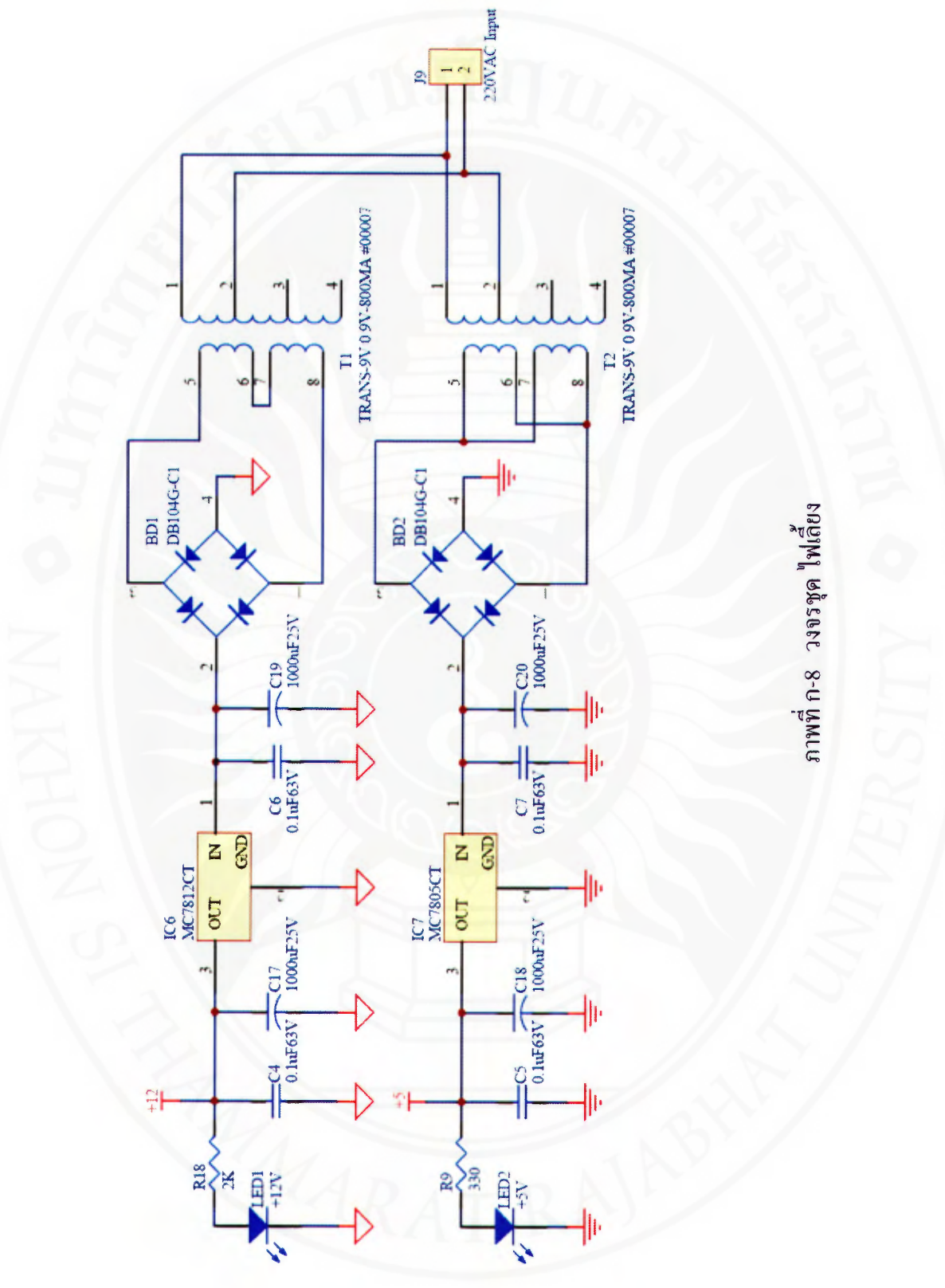
ภาพที่ ก-6 วงจรชุดรวมสัญญาณ (multiplexing)

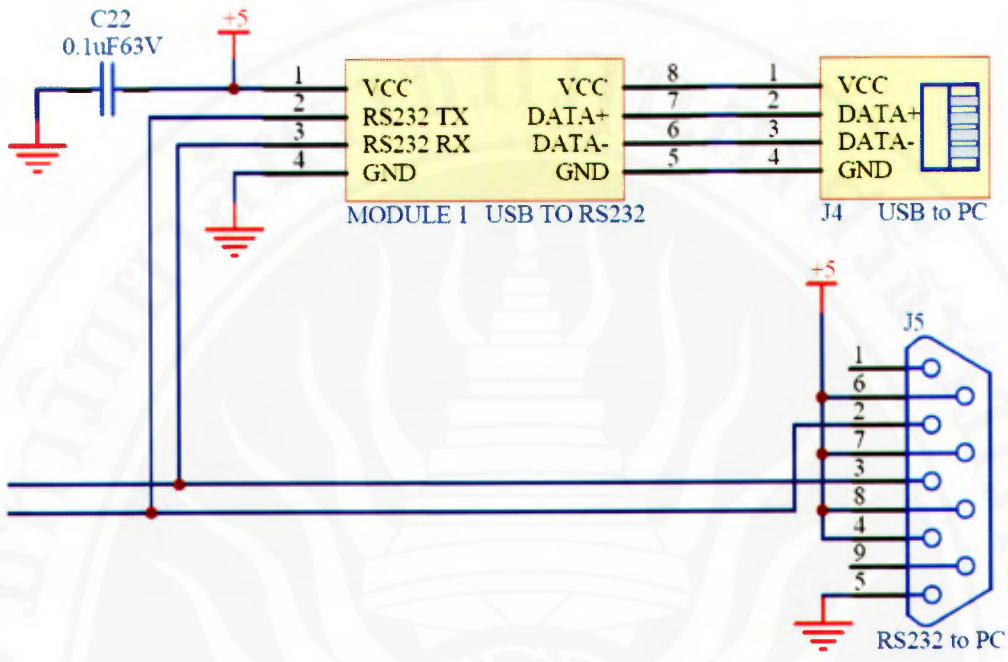


ภาพที่ ก-7 วงจรชุดเชื่อมต่อ (connector)

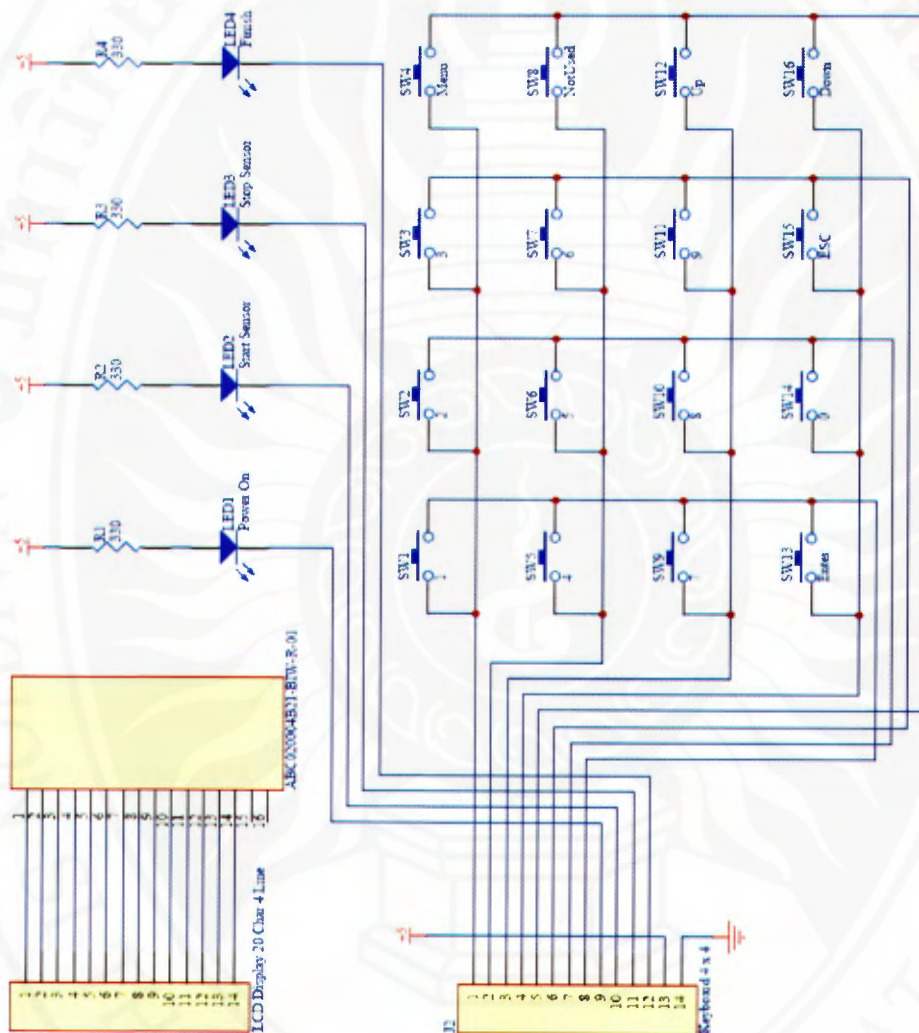


ภาพที่ ก-8 วงจรชุด ไฟเลี้ยง






ภาพที่ ก-9 วงจรชุดเชื่อมต่อกับระบบภายนอก (module)



ภาพที่ ก-10 วงจรชุดแผงแป้นพิมพ์ (key pad)



ภาคผนวก ข

คำสั่งที่ใช้ควบคุมชุดเครื่องมือวัดและเชื่อมต่อกับคอมพิวเตอร์

คำสั่งที่ใช้ควบคุมชุดเครื่องมือวัดและเชื่อมต่อกับคอมพิวเตอร์

VERSION 5.00

Object = "{831FDD16-0C5C-11D2-A9FC-0000F8754DA1}#2.0#0"; "MSCOMCTL.OCX"

Begin VB.Form FormCommPort

AutoRedraw = -1 'True
 BorderStyle = 3 'Fixed Dialog
 Caption = "CommPort Setting"
 ClientHeight = 4230
 ClientLeft = 4440
 ClientTop = 3600
 ClientWidth = 5985
 Icon = "FormCommPort.frx":0000
 LinkTopic = "Form3"
 LockControls = -1 'True
 MaxButton = 0 'False
 MinButton = 0 'False
 ScaleHeight = 4230
 ScaleWidth = 5985
 ShowInTaskbar = 0 'False
 StartUpPosition = 2 'CenterScreen

Begin VB.Frame fraSettings

BorderStyle = 0 'None
 Height = 3495
 Left = 255
 TabIndex = 2
 Top = 570
 Width = 5445

Begin VB.CommandButton cmdCancel

Caption = "Cancel"

```
Height          = 300
Left            = 4335
TabIndex       = 22
Top            = 1065
Width          = 1080
```

```
End
```

```
Begin VB.Frame Frame1
```

```
Caption         = "Maximum Speed"
Height         = 870
Left           = 180
TabIndex       = 20
Top            = 630
Width          = 2340
```

```
Begin VB.ComboBox cboSpeed
```

```
Height         = 315
Left           = 375
Style          = 2 'Dropdown List
TabIndex       = 21
Top            = 330
Width          = 1695
```

```
End
```

```
End
```

```
Begin VB.Frame fraConnection
```

```
Caption         = "Connection Preferences"
Height         = 1770
Left           = 180
TabIndex       = 12
Top            = 1635
Width          = 2325
```

```
Begin VB.ComboBox cboStopBits
```

```
Height          = 315
Left            = 1050
Style          = 2 'Dropdown List
TabIndex       = 16
Top            = 1260
Width          = 1140
End
Begin VB.ComboBox cboParity
Height          = 315
Left            = 1050
Style          = 2 'Dropdown List
TabIndex       = 15
Top            = 810
Width          = 1140
End
Begin VB.ComboBox cboDataBits
Height          = 315
Left            = 1050
Style          = 2 'Dropdown List
TabIndex       = 14
Top            = 330
Width          = 1140
End
Begin VB.Label Label5
Caption        = "Stop Bits:"
Height        = 285
Left          = 180
TabIndex     = 19
Top          = 1320
Width        = 885
```


End

Begin VB.Label Label4

Caption = "Parity:"

Height = 285

Left = 180

TabIndex = 18

Top = 855

Width = 615

End

Begin VB.Label Label3

Caption = "Data Bits:"

Height = 285

Left = 180

TabIndex = 17

Top = 375

Width = 825

End

Begin VB.ComboBox cboPort

Height = 315

Left = 900

Style = 2 'Dropdown List

TabIndex = 11

Top = 150

Width = 1425

End

Begin VB.CommandButton cmdOK

Caption = "OK"

Default = -1 'True

Height = 300

Left = 4335

```
MaskColor          = &H00000000&
TabIndex           = 0
Top                = 705
Width              = 1080
End
Begin VB.Frame Frame7
Caption            = "&Echo"
Height            = 870
Left              = 2595
TabIndex          = 8
Top               = 630
Width             = 1590
Begin VB.OptionButton optEcho
Caption           = "Off"
Height           = 315
Index            = 0
Left             = 135
MaskColor        = &H00000000&
TabIndex         = 10
Top              = 360
Width            = 615
End
Begin VB.OptionButton optEcho
Caption           = "On"
Height           = 195
Index            = 1
Left             = 795
MaskColor        = &H00000000&
TabIndex         = 9
Top              = 420
```

```
Width          = 555
End
Begin VB.Frame Frame5
Caption        = "&Flow Control"
Height        = 1770
Left          = 2595
TabIndex      = 3
Top           = 1635
Width         = 1620
Begin VB.OptionButton optFlow
Caption        = "None"
Height        = 255
Index         = 0
Left          = 180
MaskColor     = &H00000000&
TabIndex      = 7
Top           = 345
Width         = 855
End
Begin VB.OptionButton optFlow
Caption        = "Xon/Xoff"
Height        = 255
Index         = 1
Left          = 180
MaskColor     = &H00000000&
TabIndex      = 6
Top           = 645
Width         = 1095
End
Begin VB.OptionButton optFlow
```

```
Caption          = "RTS"
Height           = 255
Index            = 2
Left             = 180
MaskColor        = &H00000000&
TabIndex         = 5
Top              = 945
Width            = 735
End

Begin VB.OptionButton optFlow
Caption          = "Xon/RTS"
Height           = 255
Index            = 3
Left             = 180
MaskColor        = &H00000000&
TabIndex         = 4
Top              = 1245
Width            = 1155
End

Begin VB.Label Label1
Caption          = "Port:"
Height           = 315
Left             = 330
TabIndex         = 13
Top              = 180
Width            = 495
End

Begin MSComctlLib.TabStrip tabSettings
Height           = 4065
Left             = 90
```

```

TabIndex          = 1
Top               = 105
Width             = 5820
_ExtentX         = 10266
_ExtentY         = 7170
MultiRow         = -1 'True
_Version          = 393216
BeginProperty Tabs {1EFB6598-857C-11D1-B16A-00C0F0283628}
NumTabs          = 1
BeginProperty Tab1 {1EFB659A-857C-11D1-B16A-00C0F0283628}
Caption          = "Properties"
ImageVarType     = 2
EndProperty
EndProperty
End
End
Attribute VB_Name      = "FormCommPort"
Attribute VB_GlobalNameSpace = False
Attribute VB_Creatable = False
Attribute VB_PredeclaredId = True
Attribute VB_Exposed   = False
Private iFlow As Integer, iTempEcho As Boolean
Sub LoadPropertySettings()
Dim i As Integer, Settings As String, Offset As Integer
' Load Port Settings
For i          = 1 To 16
    cboPort.AddItem "Com" & Trim$(Str$(i))
Next i
' Load Speed Settings
cboSpeed.AddItem "110"

```



```
cboSpeed.AddItem "300"  
cboSpeed.AddItem "600"  
cboSpeed.AddItem "1200"  
cboSpeed.AddItem "2400"  
cboSpeed.AddItem "4800"  
cboSpeed.AddItem "9600"  
cboSpeed.AddItem "14400"  
cboSpeed.AddItem "19200"  
cboSpeed.AddItem "28800"  
cboSpeed.AddItem "38400"  
cboSpeed.AddItem "56000"  
cboSpeed.AddItem "57600"  
cboSpeed.AddItem "115200"  
cboSpeed.AddItem "128000"  
cboSpeed.AddItem "256000"  
' Load Data Bit Settings  
cboDataBits.AddItem "4"  
cboDataBits.AddItem "5"  
cboDataBits.AddItem "6"  
cboDataBits.AddItem "7"  
cboDataBits.AddItem "8"  
' Load Parity Settings  
cboParity.AddItem "Even"  
cboParity.AddItem "Odd"  
cboParity.AddItem "None"  
cboParity.AddItem "Mark"  
cboParity.AddItem "Space"  
' Load Stop Bit Settings  
cboStopBits.AddItem "1"  
cboStopBits.AddItem "1.5"
```

```

cboStopBits.AddItem "2"
' Set Default Settings
Settings = FormMain.MSComm1.Settings
' In all cases the right most part of Settings will be 1 character
' except when there are 1.5 stop bits.
If InStr(Settings, ".") > 0 Then
Offset = 2
Else
Offset = 0
End If
cboSpeed.Text = Left$(Settings, Len(Settings) - 6 - Offset)
Select Case Mid$(Settings, Len(Settings) - 4 - Offset, 1)
Case "e"
cboParity.ListIndex = 0
Case "m"
cboParity.ListIndex = 1
Case "n"
cboParity.ListIndex = 2
Case "o"
cboParity.ListIndex = 3
Case "s"
cboParity.ListIndex = 4
End Select
cboDataBits.Text = Mid$(Settings, Len(Settings) - 2 - Offset, 1)
cboStopBits.Text = Right$(Settings, 1 + Offset)
cboPort.ListIndex = FormMain.MSComm1.CommPort - 1
optFlow(FormMain.MSComm1.Handshaking).Value = True
If Echo Then
optEcho(1).Value = True
Else

```

```

optEcho(0).Value                = True
End If
End Sub
Private Sub cmdCancel_Click()
Unload Me
End Sub
Private Sub cmdOK_Click()
Dim OldPort As Integer, ReOpen As Boolean
On Error Resume Next
Echo                            = iTempEcho
OldPort                         = FormMain.MSComm1.CommPort
NewPort                         = cboPort.ListIndex + 1
If NewPort <> OldPort Then      ' If the port number changes, close the old port.
If FormMain.MSComm1.PortOpen Then
FormMain.MSComm1.PortOpen     = False
ReOpen                         = True
End If
FormMain.MSComm1.CommPort = NewPort      ' Set the new port number.
If Err                          = 0 Then
If ReOpen Then
FormMain.MSComm1.PortOpen     = True
frmTerminal.mnuOpen.Checked   = FormMain.MSComm1.PortOpen
frmTerminal.mnuSendText.Enabled = FormMain.MSComm1.PortOpen
frmTerminal.tbrToolBar.Buttons("TransmitTextFile").Enabled =
FormMain.MSComm1.PortOpen
End If
If Err Then
MsgBox Error$, 48
FormMain.MSComm1.CommPort     = OldPort
Exit Sub

```

```

End If
FormMain.MSComm1.Settings = Trim$(cboSpeed.Text) & "," & Left$(cboParity.Text,
1) & "," & Trim$(cboDataBits.Text) & "," & Trim$(cboStopBits.Text)
If Err Then
MsgBox Error$, 48
Exit Sub
End If
FormMain.MSComm1.Handshaking = iFlow
If Err Then
MsgBox Error$, 48
Exit Sub
End If
SaveSetting App.Title, "Properties", "Settings", FormMain.MSComm1.Settings
SaveSetting App.Title, "Properties", "CommPort", FormMain.MSComm1.CommPort
SaveSetting App.Title, "Properties", "Handshaking", FormMain.MSComm1.Handshaking
SaveSetting App.Title, "Properties", "Echo", Echo
Unload Me
End Sub
Private Sub Form_Load()
' Set the form's size
Me.Left = (Screen.Width - Me.Width) / 2
Me.Top = (Screen.Height - Me.Height) / 2
' Size the frame to fit in the tabstrip control
fraSettings.Move tabSettings.ClientLeft, tabSettings.ClientTop
' Make sure the frame is the top most control
fraSettings.ZOrder
' Load current property settings
LoadPropertySettings
End Sub
Private Sub optEcho_Click(Index As Integer)

```



```

If Index = 1 Then
iTempEcho = True
Else
iTempEcho = False
End If
End Sub
Private Sub optFlow_Click(Index As Integer)
iFlow = Index
End Sub
VERSION 5.00
Object = "{648A5603-2C6E-101B-82B6-000000000014}#1.1#0";
"mscomm32.ocx"
Object = "{831FDD16-0C5C-11D2-A9FC-0000F8754DA1}#2.0#0";
"MSCOMCTL.OCX"
Begin VB.Form FormMain
Caption = "Vertical Pendulum Speed Measurement"
ClientHeight = 10725
ClientLeft = 60
ClientTop = 975
ClientWidth = 18225
Icon = "FormMain.frx":0000
LinkTopic = "Form1"
MaxButton = 0 'False
ScaleHeight = 10725
ScaleWidth = 18225
StartupPosition = 2 'CenterScreen
Begin MSComctlLib.ImageList ImageList1
Left = 16680
Top = 9240
ExtentX = 1005

```



```

_ExtentY          = 1005
BackColor         = -2147483643
ImageWidth       = 48
ImageHeight      = 48
MaskColor        = 12632256
_Version         = 393216
BeginProperty Images {2C247F25-8591-11D1-B16A-00C0F0283628}
NumListImages    = 4
BeginProperty ListImage1 {2C247F27-8591-11D1-B16A-00C0F0283628}
Picture         = "FormMain.frx":030A
Key            = ""
EndProperty
BeginProperty ListImage2 {2C247F27-8591-11D1-B16A-00C0F0283628}
Picture         = "FormMain.frx":1E5E
Key            = ""
EndProperty
BeginProperty ListImage3 {2C247F27-8591-11D1-B16A-00C0F0283628}
Picture         = "FormMain.frx":39B2
Key            = ""
EndProperty
BeginProperty ListImage4 {2C247F27-8591-11D1-B16A-00C0F0283628}
Picture         = "FormMain.frx":5506
Key            = ""
EndProperty
End
Begin MSCCommLib.MSCComm MSCComm1
Left           = 17280
Top            = 9240
_ExtentX      = 1005
_ExtentY      = 1005

```

```
_Version          = 393216
DTREnable         = -1 'True
BaudRate          = 38400
End
Begin VB.Timer Timer1
Enabled           = 0 'False
Interval         = 250
Left              = 14880
Top               = 9360
End
Begin VB.Timer Timer2
Enabled           = 0 'False
Interval         = 500
Left              = 15240
Top               = 9360
End
Begin VB.Timer Timer3
Enabled           = 0 'False
Interval         = 1000
Left              = 15600
Top               = 9360
End
Begin VB.Timer Timer5
Interval         = 1000
Left              = 16320
Top               = 9360
End
Begin VB.Timer Timer4
Enabled           = 0 'False
Interval         = 1000
```

Left = 15960
 Top = 9360
 End
 Begin VB.Frame FrameMain
 Caption = "Vertical Pendulum Speed Measurement"
 BeginProperty Font
 Name = "Times New Roman"
 Size = 15.75
 Charset = 0
 Weight = 700
 Underline = 0 'False
 Italic = 0 'False
 Strikethrough = 0 'False
 EndProperty
 Height = 9015
 Left = 120
 TabIndex = 13
 Top = 1080
 Width = 18015
 Begin VB.Frame FrameMovementInformation
 Caption = "Moving Information"
 BeginProperty Font
 Name = "Times New Roman"
 Size = 14.25
 Charset = 0
 Weight = 700
 Underline = 0 'False
 Italic = 0 'False
 Strikethrough = 0 'False
 EndProperty

```
Height           = 8415
Left             = 240
TabIndex        = 20
Top             = 360
Width           = 4215
Begin VB.Shape ShapeCircle5
FillColor       = &H8000000F&
FillStyle      = 0 'Solid
Height         = 585
Left           = 1800
Shape          = 3 'Circle
Top           = 6450
Width         = 600
End
Begin VB.Shape ShapeCircle4
FillColor       = &H8000000F&
FillStyle      = 0 'Solid
Height         = 645
Left           = 1800
Shape          = 3 'Circle
Top           = 5220
Width         = 600
End
Begin VB.Shape ShapeCircle3
FillColor       = &H8000000F&
FillStyle      = 0 'Solid
Height         = 615
Left           = 1830
Shape          = 3 'Circle
Top           = 4020
```

Width = 600

End

Begin VB.Shape ShapeCircle2

FillColor = &H8000000F&

FillStyle = 0 'Solid

Height = 585

Left = 1800

Shape = 3 'Circle

Top = 2850

Width = 600

End

Begin VB.Shape ShapeCircle1

FillColor = &H8000000F&

FillStyle = 0 'Solid

Height = 735

Left = 1800

Shape = 3 'Circle

Top = 1560

Width = 600

End

Begin VB.Shape ShapeStep5

FillColor = &H8000000F&

FillStyle = 0 'Solid

Height = 1215

Left = 600

Top = 5520

Width = 3015

End

Begin VB.Shape ShapeStep6

FillColor = &H8000000F&


```
FillStyle          = 0 'Solid
Height            = 1215
Left              = 600
Top               = 6720
Width             = 3015
End
Begin VB.Shape ShapeStep4
FillColor         = &H8000000F&
FillStyle        = 0 'Solid
Height           = 1215
Left             = 600
Top              = 4320
Width            = 3015
End
Begin VB.Shape ShapeStep3
FillColor         = &H8000000F&
FillStyle        = 0 'Solid
Height           = 1215
Left             = 600
Top              = 3120
Width            = 3015
End
Begin VB.Shape ShapeStep2
FillColor         = &H8000000F&
FillStyle        = 0 'Solid
Height           = 1215
Left             = 600
Top              = 1920
Width            = 3015
End
```

Begin VB.Shape ShapeStep1

FillColor = &H8000000F&
FillStyle = 0 'Solid
Height = 1215
Left = 600
Top = 750
Width = 3015

End

Begin VB.Frame FrameTimeInformation

Caption = "Timing Information"

BeginProperty Font

Name = "Times New Roman"
Size = 14.25
Charset = 0
Weight = 700
Underline = 0 'False
Italic = 0 'False
Strikethrough = 0 'False

EndProperty

Height = 8415
Left = 4680
TabIndex = 14
Top = 360
Width = 13095

Begin VB.TextBox TextStep1

Alignment = 2 'Center
BackColor = &H00000000&

BeginProperty Font

Name = "Arial"
Size = 39.75

```

Charset          = 0
Weight          = 700
Underline       = 0 'False
Italic          = 0 'False
Strikethrough   = 0 'False
EndProperty
ForeColor       = &H00FFFF00&
Height         = 930
Left           = 1560
TabIndex       = 2
Text           = "00:00:00:00"
Top           = 1320
Width         = 4440
End
Begin VB.TextBox Text1
Alignment      = 2 'Center
Height        = 735
Left         = 1560
TabIndex     = 1
Top         = 1440
Width       = 4335
End
Begin VB.TextBox TextRealTime
Alignment      = 2 'Center
BackColor     = &H00000000&
BeginProperty Font
Name          = "Arial"
Size         = 39.75
Charset      = 0
Weight      = 700

```

```

Underline      = 0 'False
Italic         = 0 'False
Strikethrough = 0 'False
EndProperty
ForeColor     = &H00FFFF00&
Height        = 885
Left          = 8280
TabIndex      = 7
Text          = "00:00:00:00"
Top           = 1320
Width         = 4455
End
Begin VB.TextBox TextDuration4
Alignment     = 2 'Center
BackColor     = &H00000000&
BeginProperty Font
Name          = "Arial"
Size         = 39.75
CharSet      = 0
Weight       = 700
Underline    = 0 'False
Italic       = 0 'False
Strikethrough = 0 'False
EndProperty
ForeColor     = &H00FFFF00&
Height        = 885
Left          = 8280
TabIndex      = 11
Text          = "00:00:00:00"
Top           = 6720

```

```

Width                = 4455
End
Begin VB.TextBox TextDuration3
Alignment            = 2 'Center
BackColor             = &H00000000&
BeginProperty Font
Name                 = "Arial"
Size                 = 39.75
Charset              = 0
Weight               = 700
Underline            = 0 'False
Italic               = 0 'False
Strikethrough        = 0 'False
EndProperty
ForeColor            = &H00FFFF00&
Height              = 915
Left                 = 8280
TabIndex             = 10
Text                 = "00:00:00:00"
Top                  = 5400
Width                = 4455
End
Begin VB.TextBox TextDuration2
Alignment            = 2 'Center
BackColor             = &H00000000&
BeginProperty Font
Name                 = "Arial"
Size                 = 39.75
Charset              = 0
Weight               = 700

```



```

Underline          = 0 'False
Italic             = 0 'False
Strikethrough     = 0 'False
EndProperty
ForeColor         = &H00FFFF00&
Height           = 915
Left              = 8280
TabIndex         = 9
Text              = "00:00:00:00"
Top               = 3960
Width            = 4455
End
Begin VB.TextBox TextDuration1
Alignment        = 2 'Center
BackColor       = &H00000000&
BeginProperty Font
Name            = "Arial"
Size           = 39.75
Charset        = 0
Weight         = 700
Underline      = 0 'False
Italic         = 0 'False
Strikethrough  = 0 'False
EndProperty
ForeColor       = &H00FFFF00&
Height         = 930
Left           = 8280
TabIndex      = 8
Text           = "00:00:00:00"
Top           = 2640

```

Width = 4455

End

Begin VB.TextBox TextStep5

Alignment = 2 'Center

BackColor = &H00000000&

BeginProperty Font

Name = "Arial"

Size = 39.75

Charset = 0

Weight = 700

Underline = 0 'False

Italic = 0 'False

Strikethrough = 0 'False

EndProperty

ForeColor = &H00FFFF00&

Height = 930

Left = 1560

TabIndex = 6

Text = "00:00:00:00"

Top = 6720

Width = 4455

End

Begin VB.TextBox TextStep4

Alignment = 2 'Center

BackColor = &H00000000&

BeginProperty Font

Name = "Arial"

Size = 39.75

Charset = 0

Weight = 700

```
Underline      = 0 'False
Italic         = 0 'False
Strikethrough = 0 'False
EndProperty
ForeColor     = &H00FFFF00&
Height       = 930
Left         = 1560
TabIndex    = 5
Text        = "00:00:00:00"
Top         = 5400
Width       = 4455
End
Begin VB.TextBox TextStep3
Alignment    = 2 'Center
BackColor    = &H00000000&
BeginProperty Font
Name        = "Arial"
Size       = 39.75
Charset    = 0
Weight     = 700
Underline  = 0 'False
Italic     = 0 'False
Strikethrough = 0 'False
EndProperty
ForeColor   = &H00FFFF00&
Height     = 885
Left       = 1560
TabIndex  = 4
Text      = "00:00:00:00"
Top       = 3960
```

```
Width                = 4455
End
Begin VB.TextBox TextStep2
Alignment            = 2 'Center
BackColor             = &H00000000&
BeginProperty Font
Name                  = "Arial"
Size                  = 39.75
Charset               = 0
Weight                = 700
Underline             = 0 'False
Italic                = 0 'False
Strikethrough         = 0 'False
EndProperty
ForeColor             = &H00FFFF00&
Height                = 885
Left                  = 1560
TabIndex              = 3
Text                  = "00:00:00:00"
Top                   = 2640
Width                 = 4440
End
Begin VB.Label Label1
Alignment            = 2 'Center
AutoSize              = -1 'True
Caption               = "Real Time"
BeginProperty Font
Name                  = "Times New Roman"
Size                  = 20.25
Charset               = 0
```

```

Weight          = 700
Underline       = 0 'False
Italic          = 0 'False
Strikethrough   = 0 'False
EndProperty
Height         = 465
Left           = 6360
TabIndex       = 37
Top            = 1560
Width          = 1845
End
Begin VB.Label Label10mS2
Alignment      = 2 'Center
AutoSize       = -1 'True
Caption        = "10mS"
BeginProperty Font
Name           = "Times New Roman"
Size           = 20.25
Charset        = 0
Weight         = 700
Underline      = 0 'False
Italic         = 0 'False
Strikethrough  = 0 'False
EndProperty
Height         = 465
Left           = 11640
TabIndex       = 36
Top            = 840
Width          = 1005
End

```


Begin VB.Label LabelSS2

Alignment = 2 'Center

AutoSize = -1 'True

Caption = "SS"

BeginProperty Font

Name = "Times New Roman"

Size = 20.25

Charset = 0

Weight = 700

Underline = 0 'False

Italic = 0 'False

Strikethrough = 0 'False

EndProperty

Height = 465

Left = 10680

TabIndex = 35

Top = 840

Width = 465

End

Begin VB.Label LabelMM2

Alignment = 2 'Center

AutoSize = -1 'True

Caption = "MM"

BeginProperty Font

Name = "Times New Roman"

Size = 20.25

Charset = 0

Weight = 700

Underline = 0 'False

Italic = 0 'False

```

Strikethrough      = 0 'False
EndProperty
Height            = 465
Left              = 9480
TabIndex          = 34
Top               = 840
Width             = 765
End
Begin VB.Label LabelStep9
Alignment         = 2 'Center
AutoSize         = -1 'True
Caption          = "Step4-5"
BeginProperty Font
Name              = "Times New Roman"
Size              = 20.25
Charset          = 0
Weight           = 700
Underline        = 0 'False
Italic           = 0 'False
Strikethrough    = 0 'False
EndProperty
EndProperty
Height           = 465
Left             = 6720
TabIndex         = 33
Top              = 7080
Width            = 1335
End
Begin VB.Label LabelDuration4
Alignment         = 2 'Center
AutoSize         = -1 'True

```

Caption = "Duration"

BeginProperty Font

Name = "Times New Roman"

Size = 20.25

Charset = 0

Weight = 700

Underline = 0 'False

Strikethrough = 0 'False

EndProperty

Height = 465

Left = 6600

TabIndex = 32

Top = 6720

Width = 1635

End

Begin VB.Label LabelStep8

Alignment = 2 'Center

AutoSize = -1 'True

Caption = "Step3-4"

BeginProperty Font

Name = "Times New Roman"

Size = 20.25

Charset = 0

Weight = 700

Underline = 0 'False

Italic = 0 'False

Strikethrough = 0 'False

EndProperty

Height = 465

Left = 6720

```

TabIndex          = 31
Top               = 5760
Width            = 1335
End
Begin VB.Label LabelDuration3
Alignment        = 2 'Center
AutoSize        = -1 'True
Caption         = "Duration"
BeginProperty Font
Name            = "Times New Roman"
Size           = 20.25
Charset        = 0
Weight         = 700
Underline      = 0 'False
Italic         = 0 'False
Strikethrough  = 0 'False
EndProperty
Height          = 465
Left           = 6600
TabIndex       = 30
Top            = 5400
Width         = 1635
End
Begin VB.Label LabelStep7
Alignment        = 2 'Center
AutoSize        = -1 'True
Caption         = "Step2-3"
BeginProperty Font
Name            = "Times New Roman"
Size           = 20.25

```

Charset = 0
Weight = 700
Underline = 0 'False
Italic = 0 'False
Strikethrough = 0 'False
EndProperty
Height = 465
Left = 6720
TabIndex = 29
Top = 4320
Width = 1335
End
Begin VB.Label LabelDuration2
Alignment = 2 'Center
AutoSize = -1 'True
Caption = "Duration"
BeginProperty Font
Name = "Times New Roman"
Size = 20.25
Charset = 0
Weight = 700
Underline = 0 'False
Italic = 0 'False
Strikethrough = 0 'False
EndProperty
Height = 465
Left = 6600
TabIndex = 28
Top = 3960
Width = 1635

End

Begin VB.Label LabelStep6

Alignment = 2 'Center

AutoSize = -1 'True

Caption = "Step1-2"

BeginProperty Font

Name = "Times New Roman"

Size = 20.25

Charset = 0

Weight = 700

Underline = 0 'False

Italic = 0 'False

Strikethrough = 0 'False

EndProperty

Height = 465

Left = 6720

TabIndex = 27

Top = 3000

Width = 1335

End

Begin VB.Label LabelDuration1

Alignment = 2 'Center

AutoSize = -1 'True

Caption = "Duration"

BeginProperty Font

Name = "Times New Roman"

Size = 20.25

Charset = 0

Weight = 700

Underline = 0 'False

```
Italic                = 0 'False
Strikethrough        = 0 'False
EndProperty
Height               = 465
Left                 = 6630
TabIndex             = 26
Top                  = 2640
Width                = 1635
End
Begin VB.Label LabelHH1
Alignment            = 2 'Center
Appearance           = 0 'Flat
AutoSize             = -1 'True
Caption              = "HH"
BeginProperty Font
Name                 = "Times New Roman"
Size                 = 20.25
Charset              = 0
Weight               = 700
Underline            = 0 'False
Italic               = 0 'False
Strikethrough        = 0 'False
EndProperty
ForeColor            = &H80000008&
Height               = 465
Left                 = 1740
TabIndex             = 25
Top                  = 840
Width                = 645
End
```

Begin VB.Label LabelHH2

Alignment = 2 'Center

Caption = "HH"

BeginProperty Font

Name = "Times New Roman"

Size = 20.25

Charset = 0

Weight = 700

Underline = 0 'False

Italic = 0 'False

Strikethrough = 0 'False

EndProperty

Height = 495

Left = 8400

TabIndex = 24

Top = 840

Width = 735

End**Begin VB.Label Label10mS1**

Alignment = 2 'Center

Appearance = 0 'Flat

AutoSize = -1 'True

Caption = "10mS"

BeginProperty Font

Name = "Times New Roman"

Size = 20.25

Charset = 0

Weight = 700

Underline = 0 'False

Italic = 0 'False

```

Strikethrough      = 0 'False
EndProperty
ForeColor          = &H80000008&
Height            = 465
Left              = 4905
TabIndex          = 23
Top               = 840
Width             = 1005
End
Begin VB.Label LabelStep5
Alignment         = 2 'Center
Appearance       = 0 'Flat
AutoSize         = -1 'True
Caption          = "Step5"
BeginProperty Font
Name             = "Times New Roman"
Size            = 20.25
Charset         = 0
Weight          = 700
Underline       = 0 'False
Italic          = 0 'False
Strikethrough   = 0 'False
EndProperty
ForeColor        = &H80000008&
Height          = 465
Left            = 480
TabIndex        = 22
Top             = 6960
Width           = 975
End

```

Begin VB.Label LabelStep4

Alignment = 2 'Center

Appearance = 0 'Flat

AutoSize = -1 'True

Caption = "Step4"

BeginProperty Font

Name = "Times New Roman"

Size = 20.25

Charset = 0

Weight = 700

Underline = 0 'False

Italic = 0 'False

Strikethrough = 0 'False

EndProperty

ForeColor = &H80000008&

Height = 465

Left = 480

TabIndex = 21

Top = 5640

Width = 1005

End

Begin VB.Label LabelSS1

Alignment = 2 'Center

Appearance = 0 'Flat

AutoSize = -1 'True

Caption = "SS"

BeginProperty Font

Name = "Times New Roman"

Size = 20.25

Charset = 0

Weight = 700
 Underline = 0 'False
 Italic = 0 'False
 Strikethrough = 0 'False
 EndProperty
 ForeColor = &H80000008&
 Height = 465
 Left = 4080
 TabIndex = 19
 Top = 840
 Width = 465
 End
 Begin VB.Label LabelMM1
 Alignment = 2 'Center
 Appearance = 0 'Flat
 AutoSize = -1 'True
 Caption = "MM"
 BeginProperty Font
 Name = "Times New Roman"
 Size = 20.25
 Charset = 0
 Weight = 700
 Underline = 0 'False
 Italic = 0 'False
 Strikethrough = 0 'False
 EndProperty
 ForeColor = &H80000008&
 Height = 465
 Left = 2760
 TabIndex = 18

```

Top                = 840
Width              = 765
End
Begin VB.Label LabelStep1
Alignment          = 2 'Center
Appearance         = 0 'Flat
AutoSize          = -1 'True
Caption           = " Step1"
BeginProperty Font
Name              = "Times New Roman"
Size              = 20.25
Charset           = 0
Weight           = 700
Underline         = 0 'False
Italic            = 0 'False
Strikethrough     = 0 'False
EndProperty
ForeColor         = &H80000008&
Height           = 465
Left              = 360
TabIndex         = 17
Top              = 1560
Width            = 1095
End
Begin VB.Label LabelStep2
Alignment          = 2 'Center
Appearance         = 0 'Flat
AutoSize          = -1 'True
Caption           = "Step2"
BeginProperty Font

```

```

Name           = "Times New Roman"
Size           = 20.25
Charset        = 0
Weight         = 700
Underline      = 0 'False
Italic         = 0 'False
Strikethrough  = 0 'False
EndProperty
ForeColor      = &H80000008&
Height         = 465
Left           = 480
TabIndex       = 16
Top            = 2880
Width          = 1005
End
Begin VB.Label LabelStep3
Alignment      = 2 'Center
Appearance     = 0 'Flat
AutoSize       = -1 'True
Caption        = "Step3"
BeginProperty Font
Name           = "Times New Roman"
Size           = 20.25
Charset        = 0
Weight         = 700
Underline      = 0 'False
Italic         = 0 'False
Strikethrough  = 0 'False
EndProperty
ForeColor      = &H80000008&

```

Height = 465
 Left = 480
 TabIndex = 15
 Top = 4200
 Width = 1005
 End
 End
 End

Begin MSComctlLib.StatusBar sbrStatus

Height = 435
 Left = 120
 TabIndex = 0
 Top = 10200
 Width = 18015
 _ExtentX = 31776
 _ExtentY = 767
 _Version = 393216

BeginProperty Panels {8E3867A5-8586-11D1-B16A-00C0F0283628}

NumPanels = 3

BeginProperty Panel1 {8E3867AB-8586-11D1-B16A-00C0F0283628}

AutoSize = 2
 Object.Width = 7064
 MinWidth = 7056
 Text = "Connect Status :"
 TextSave = "Connect Status :"
 Key = "Status"
 Object.ToolTipText = "Communications Port Status"

EndProperty

BeginProperty Panel2 {8E3867AB-8586-11D1-B16A-00C0F0283628}

AutoSize = 1

```

Object.Width          = 19343
MinWidth              = 2
Text                  = "Port Settings :'"
TextSave              = "Port Settings :'"
Key                   = "Settings"
Object.ToolTipText   = "Communications Port Settings"
EndProperty
BeginProperty Panel3 {8E3867AB-8586-11D1-B16A-00C0F0283628}
AutoSize              = 2
Object.Width          = 5292
MinWidth              = 5292
Text                  = "Connect Time :'"
TextSave              = "Connect Time :'"
Key                   = "ConnectTime"
Object.ToolTipText   = "Connect Time"
EndProperty
EndProperty
BeginProperty Font {0BE35203-8F91-11CE-9DE3-00AA004BB851}
Name                  = "MS Sans Serif"
Size                  = 9.75
Charset                = 222
Weight                 = 700
Underline              = 0 'False
Italic                 = 0 'False
Strikethrough         = 0 'False
EndProperty
End
Begin MSComctlLib.Toolbar Toolbar1
Align                  = 1 'Align Top
Height                 = 1050

```



```

Left                = 0
TabIndex           = 12
Top                = 0
Width              = 18225
_ExtentX           = 32147
_ExtentY           = 1852
ButtonWidth        = 1482
ButtonHeight       = 1799
Wrappable          = 0 'False
Appearance         = 1
Style              = 1
ImageList          = "ImageList1"
_Version           = 393216
BeginProperty Buttons {66833FE8-8583-11D1-B16A-00C0F0283628}
NumButtons         = 14
BeginProperty Button1 {66833FEA-8583-11D1-B16A-00C0F0283628}
Enabled            = 0 'False
Style              = 2
EndProperty
BeginProperty Button2 {66833FEA-8583-11D1-B16A-00C0F0283628}
Enabled            = 0 'False
Style              = 2
EndProperty
BeginProperty Button3 {66833FEA-8583-11D1-B16A-00C0F0283628}
Enabled            = 0 'False
Style              = 2
EndProperty
BeginProperty Button4 {66833FEA-8583-11D1-B16A-00C0F0283628}
Enabled            = 0 'False
Style              = 2

```

EndProperty

BeginProperty Button5 {66833FEA-8583-11D1-B16A-00C0F0283628}

Enabled = 0 'False

Style = 2

EndProperty

BeginProperty Button6 {66833FEA-8583-11D1-B16A-00C0F0283628}

Enabled = 0 'False

Style = 2

EndProperty

BeginProperty Button7 {66833FEA-8583-11D1-B16A-00C0F0283628}

Enabled = 0 'False

Style = 2

EndProperty

BeginProperty Button8 {66833FEA-8583-11D1-B16A-00C0F0283628}

Caption = "ComPort"

Key = "Comport1"

ImageIndex = 1

EndProperty

BeginProperty Button9 {66833FEA-8583-11D1-B16A-00C0F0283628}

Enabled = 0 'False

Style = 2

EndProperty

BeginProperty Button10 {66833FEA-8583-11D1-B16A-00C0F0283628}

Caption = "Start"

Key = "Start1"

ImageIndex = 2

EndProperty

BeginProperty Button11 {66833FEA-8583-11D1-B16A-00C0F0283628}

Enabled = 0 'False

Style = 2

EndProperty

BeginProperty Button12 {66833FEA-8583-11D1-B16A-00C0F0283628}

Caption = "Stop"

Key = "Stop1"

ImageIndex = 3

EndProperty

BeginProperty Button13 {66833FEA-8583-11D1-B16A-00C0F0283628}

Enabled = 0 'False

Style = 2

EndProperty

BeginProperty Button14 {66833FEA-8583-11D1-B16A-00C0F0283628}

Caption = "Exit"

Key = "Exit1"

ImageIndex = 4

EndProperty

EndProperty

BorderStyle = 1

End

Attribute VB_Name = "FormMain"

Attribute VB_GlobalNameSpace = False

Attribute VB_Creatable = False

Attribute VB_PredeclaredId = True

Attribute VB_Exposed = False

Option Explicit

Dim StartTime As Date

Dim z As Double

Dim t As String

Dim MovingData As Byte

Dim strbuffer As String

Dim strbuffer1 As String

```

Dim strbuffer2 As String
Dim HourStart As String
Dim MinuteStart As String
Dim SecondStart As String
Dim mSStart As String
Dim HourStop As String
Dim MinuteStop As String
Dim SecondStop As String
Dim mSStop As String
Dim HourDuration As String
Dim MinuteDuration As String
Dim SecondDuration As String
Dim mSDuration As String
Private Sub Form_Load()
Dim CommPort As String, Handshaking As String, Settings As String
Toolbar1.Buttons("Stop1").Enabled = False
Timer1.Enabled = False
Timer2.Enabled = False
Timer3.Enabled = False
Timer4.Enabled = False
Timer5.Enabled = True
z = Timer
sbrStatus.Panels("ConnectTime").Text = "Present Time : " & Format(Now, "hh:nn:ss")
Settings = GetSetting(App.Title, "Properties", "Settings", "")
If Settings <> "" Then
MSComm1.Settings = Settings
If Err Then
MsgBox Error$, 48
Exit Sub
End If

```



```

CommPort = GetSetting(App.Title, "Properties", "CommPort",
"")
If CommPort <> "" Then MSComm1.CommPort = CommPort
Handshaking = GetSetting(App.Title, "Properties", "Handshaking",
"")
If Handshaking <> "" Then
MSComm1.Handshaking = Handshaking
If Err Then
MsgBox Error$, 48
Exit Sub
End If
On Error GoTo 0
End Sub
Private Sub MSComm1_OnComm()
'-----
' Recive Data
'-----
Dim strbuffer As String
If MSComm1.CommEvent Then
strbuffer = MSComm1.Input
End If
strbuffer1 = Right(strbuffer1 & strbuffer, 119)
strbuffer2 = Left(strbuffer1, 119)
Text1.Text = strbuffer1
End Sub
Private Sub Timer1_Timer()
'-----
' Send Data
'-----
If MSComm1.PortOpen = False Then

```



```

MSComm1.PortOpen          = True
Else
MSComm1.OutBufferCount    = 0
MSComm1.Output            = Chr(&H1) & Chr(&H52) & Chr(&HD)
MSComm1.RThreshold        = 1
End If
End Sub
Private Sub Timer2_Timer()
MovingData                = MovingData + 1
Select Case MovingData
Case "1"
ShapeStep1.FillColor      = &HFFFFC0
ShapeCircle1.FillColor    = &H8080FF
Case "2"
ShapeStep2.FillColor      = &HFFFF80
ShapeCircle2.FillColor    = &H8080FF
Case "3"
ShapeStep3.FillColor      = &HFFFF00
ShapeCircle3.FillColor    = &H8080FF
Case "4"
ShapeStep4.FillColor      = &HC0C000
ShapeCircle4.FillColor    = &H8080FF
Case "5"
ShapeStep5.FillColor      = &H808000
ShapeCircle5.FillColor    = &H8080FF
Case "6"
ShapeStep6.FillColor      = &H404000
Case "7"
ShapeStep1.FillColor      = &H8000000F
ShapeStep2.FillColor      = &H8000000F

```

```

ShapeStep3.FillColor      = &H8000000F
ShapeStep4.FillColor      = &H8000000F
ShapeStep5.FillColor      = &H8000000F
ShapeStep6.FillColor      = &H8000000F
ShapeCircle1.FillColor    = &H8000000F
ShapeCircle2.FillColor    = &H8000000F
ShapeCircle3.FillColor    = &H8000000F
ShapeCircle4.FillColor    = &H8000000F
ShapeCircle5.FillColor    = &H8000000F
MovingData                = 0
End Select
End Sub
Private Sub Timer3_Timer()
sbrStatus.Panels("ConnectTime").Text = "Connect Time : " & Format(Now - StartTime,
"hh:nn:ss") & " "
t = Timer - z
HourDuration              = Mid(strbuffer1, 37, 2)
MinuteDuration            = Mid(strbuffer1, 40, 2)
SecondDuration            = Mid(strbuffer1, 43, 2)
mSDuration                = Mid(strbuffer1, 46, 2)
TextRealTime.Text        = Mid(strbuffer1, 1, 11)
TextStep1.Text            = Mid(strbuffer1, 13, 11)
TextStep2.Text            = Mid(strbuffer1, 25, 11)
TextStep3.Text            = Mid(strbuffer1, 37, 11)
TextStep4.Text            = Mid(strbuffer1, 49, 11)
TextStep5.Text            = Mid(strbuffer1, 61, 11)
TextDuration1.Text        = Mid(strbuffer1, 73, 11)
TextDuration2.Text        = Mid(strbuffer1, 85, 11)
TextDuration3.Text        = Mid(strbuffer1, 97, 11)
TextDuration4.Text        = Mid(strbuffer1, 109, 11)

```

```

End Sub

Private Sub Timer4_Timer()
Timer3.Interval = 1000
Timer3.Enabled = True
End Sub

Private Sub Timer5_Timer()
sbrStatus.Panels("ConnectTime").Text = "Present Time : " & Format(Now, "hh:nn:ss")
End Sub

Private Sub Toolbar1_ButtonClick(ByVal Button As MSComctlLib.Button)
Select Case Button.Key
Case "Comport1"
FormCommPort.Show
Case "Start1"
Timer1.Interval = 250
Timer1.Enabled = True
Timer2.Enabled = True
Timer3.Interval = 1000
Timer4.Enabled = True
Timer5.Enabled = False
sbrStatus.Panels("Status").Text = "Status : " & "Connecting"
sbrStatus.Panels("Settings").Text = "Port Settings : Port No.:" & MSComm1.CommPort
& " , Speed : " & MSComm1.Settings
StartTime = Now
sbrStatus.Panels("ConnectTime").Text = "Connect Time : " & Format(Now - StartTime,
"hh:nn:ss") & " "
Toolbar1.Buttons("Start1").Enabled = False
Toolbar1.Buttons("Comport1").Enabled = False
Toolbar1.Buttons("Stop1").Enabled = True
ShapeStep1.FillColor = &H8000000F
ShapeStep2.FillColor = &H8000000F

```

ShapeStep3.FillColor	= &H8000000F
ShapeStep4.FillColor	= &H8000000F
ShapeStep5.FillColor	= &H8000000F
ShapeStep6.FillColor	= &H8000000F
Case "Stop1"	
TextRealTime.Text	= "00:00:00:00"
TextStep1.Text	= "00:00:00:00"
TextStep2.Text	= "00:00:00:00"
TextStep3.Text	= "00:00:00:00"
TextStep4.Text	= "00:00:00:00"
TextStep5.Text	= "00:00:00:00"
TextDuration1.Text	= "00:00:00:00"
TextDuration2.Text	= "00:00:00:00"
TextDuration3.Text	= "00:00:00:00"
TextDuration4.Text	= "00:00:00:00"
ShapeStep1.FillColor	= &H8000000F
ShapeStep2.FillColor	= &H8000000F
ShapeStep3.FillColor	= &H8000000F
ShapeStep4.FillColor	= &H8000000F
ShapeStep5.FillColor	= &H8000000F
ShapeStep6.FillColor	= &H8000000F
ShapeCircle1.FillColor	= &H8000000F
ShapeCircle2.FillColor	= &H8000000F
ShapeCircle3.FillColor	= &H8000000F
ShapeCircle4.FillColor	= &H8000000F
ShapeCircle5.FillColor	= &H8000000F
MovingData	= 0
Timer1.Enabled	= False
Timer2.Enabled	= False
Timer3.Enabled	= False


```

Timer4.Enabled          = False
Timer5.Enabled          = True
MSComm1.PortOpen       = False
sbrStatus.Panels("Status").Text = "Status : " & "Disconnect"
sbrStatus.Panels("ConnectTime").Text = ""
sbrStatus.Panels("ConnectTime").Text = "Present Time : " & Format(Now, "hh:nn:ss")
Toolbar1.Buttons("Start1").Enabled = True
Toolbar1.Buttons("Comport1").Enabled = True
Toolbar1.Buttons("Stop1").Enabled = False

Case "Exit1"
Unload Me
End Select
End Sub
Type=Exe
Reference =*\G{00020430-0000-0000-C000-000000000046}#2.0#0#C:\WINDOWS\SYSTEM32\stdole2.tlb#OLE Automation
Object = {F9043C88-F6F2-101A-A3C9-08002B2F49FB}#1.2#0; comdlg32.ocx
Object = {648A5603-2C6E-101B-82B6-000000000014}#1.1#0; MSCOMM32.OCX
Object = {5E9E78A0-531B-11CF-91F6-C2863C385E30}#1.0#0; MSFLXGRD.OCX
Object = {38911DA0-E448-11D0-84A3-00DD01104159}#1.1#0; COMCT332.OCX
Object = {BDC217C8-ED16-11CD-956C-0000C04E4C0A}#1.1#0; Tabctl32.ocx
Object = {831FDD16-0C5C-11D2-A9FC-0000F8754DA1}#2.0#0; MSCOMCTL.OCX
Form =FormCommPort.frm
Reference =*\G{6B263850-900B-11D0-9484-00A0C91110ED}#1.0#0#C:\WINDOWS\system32\MSSTDFMT.DLL#Microsoft Data
Formatting Object Library 6.0 (SP4)
Form =FormMain.frm
IconForm = "FormMain"
Startup = "FormMain"
HelpFil = ""

```


Title	= "Vertical Pendulum Speed Measurement"
ExeName32	= "Vertical Pendulum Speed Measurement.exe"
Command32	= ""
Name	= "VerticalPendulumSpeedMeasurement"
HelpContextID	= "0"
Description	= "Vertical Pendulum Speed Measurement"
CompatibleMode	= "0"
MajorVer	= 1
MinorVer	= 0
RevisionVer	= 0
AutoIncrementVer	= 0
ServerSupportFiles	= 0
VersionCompanyName	= "."
CompilationType	= 0
OptimizationType	= 0
FavorPentiumPro(tm)	= 0
CodeViewDebugInfo	= 0
NoAliasing	= 0
BoundsCheck	= 0
OverflowCheck	= 0
FIPointCheck	= 0
FDIVCheck	= 0
UnroundedFP	= 0
StartMode	= 0
Unattended	= 0
Retained	= 0
ThreadPerObject	= 0
MaxNumberOfThreads	= 1
DebugStartupOption	= 0
AutoRefresh	= 1

ภาคผนวก ค

ไมโครคอนโทรลเลอร์

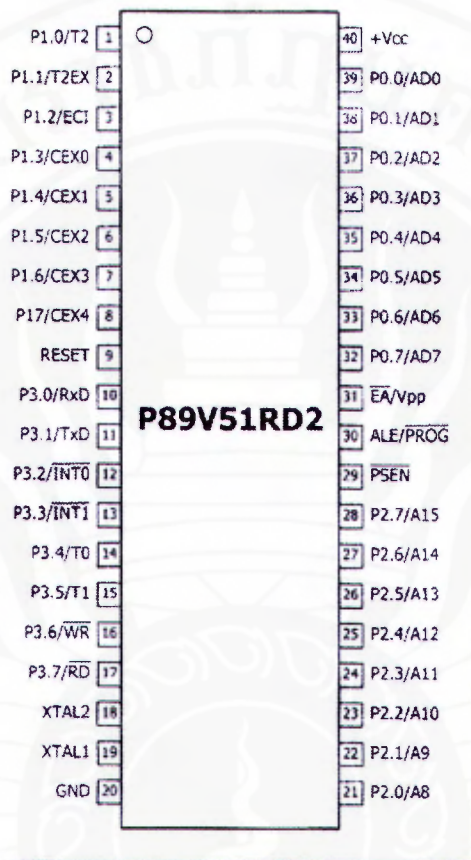
ทฤษฎีไมโครคอนโทรลเลอร์ MCS-51 เบอร์ P89V51RD2

ไมโครคอนโทรลเลอร์ MCS-51 เบอร์ P89V51RD2 ของบริษัท Philips มีหน่วยความจำโปรแกรมแบบแฟลช 64 กิโลไบต์ มีขาพอร์ตสำหรับใช้งานมากถึง 4 พอร์ต (P0-P3) พร้อมทั้งไทมเมอร์ 3 ตัว มีโมดูล PCA สำหรับสร้างสัญญาณ PWM มากถึง 5 ช่อง รวมทั้งมีหน่วยความจำแรมพิเศษอีก 1 กิโลไบต์ และสามารถโปรแกรมหน่วยความจำผ่านพอร์ตอนุกรมในแบบ ISP ได้ด้วย

1. คุณสมบัติของไมโครคอนโทรลเลอร์ MCS-51 เบอร์ P89V51RD2

เป็นไมโครคอนโทรลเลอร์ตระกูล MCS-51 ซึ่งมีหน่วยความจำภายในเป็นแบบแฟลชมีคุณสมบัติทางเทคนิคที่โดดเด่นดังนี้

- 1.1 เป็นไมโครคอนโทรลเลอร์ 8 บิตที่เข้ากันได้กับไมโครคอนโทรลเลอร์ MCS-51
- 1.2 ในการโปรแกรมสามารถลบและเขียนใหม่ได้ถึงหนึ่งหมื่นครั้งมีขนาดหน่วยความจำโปรแกรม 64 กิโลไบต์
- 1.3 หน่วยความจำข้อมูลแรมภายในมีขนาด 1 กิโลไบต์
- 1.4 โปรแกรมข้อมูลลงในหน่วยความจำโปรแกรมแบบ ISP
- 1.5 ความถี่สัญญาณนาฬิกาสูงสุด 40MHz ในกรณีทำงานด้วยสัญญาณนาฬิกาภายใน 12 ลูกต่อแมชชีนไซเคิลและ 20MHz ในกรณีทำงานด้วยสัญญาณนาฬิกาภายใน 6 ลูกต่อแมชชีนไซเคิล
- 1.6 ขาพอร์ต 8 บิต 4 พอร์ต แบบกึ่งสองทิศทางเป็นได้ทั้งอินพุตและเอาต์พุต
- 1.7 อุปกรณ์เพอริเฟอรัลภายในไมโครคอนโทรลเลอร์สามารถทำงานด้วยความเร็ว 12 ลูก สัญญาณนาฬิกาต่อแมชชีนไซเคิลได้ แม้ว่าซีพียูจะทำงานด้วยความเร็ว 6 ลูกสัญญาณนาฬิกาภายในต่อแมชชีนไซเคิล
- 1.8 มีวงจรสื่อสารอนุกรมแบบฟูลดูเพล็กซ์
- 1.9 ไทมเมอร์/เคาน์เตอร์ขนาด 16 บิต 3 ตัว
- 1.10 มีรีจิสเตอร์ตัวชี้ตำแหน่งข้อมูลหรือ DPTR 2 ตัว
- 1.11 สามารถรองรับแหล่งกำเนิดอินเตอร์รัปต์ได้ 8 ประเภท
- 1.12 กำหนดนัยสำคัญของการตอบสนองอินเตอร์รัปต์ได้ 4 ระดับ
- 1.13 สามารถติดต่อกับหน่วยความจำภายนอกได้สูงสุด 64 กิโลไบต์
- 1.14 มีวอตช์ดีด็อกไทมเมอร์
- 1.15 มีวงจรโมดูลนับโปรแกรมได้ (PCA) ซึ่งบรรจุวงจรตรวจจับสัญญาณ เปรียบเทียบสัญญาณ วงจรมอดูเลชันทางความกว้างพัลส์ และวอตช์ดีด็อกไทมเมอร์



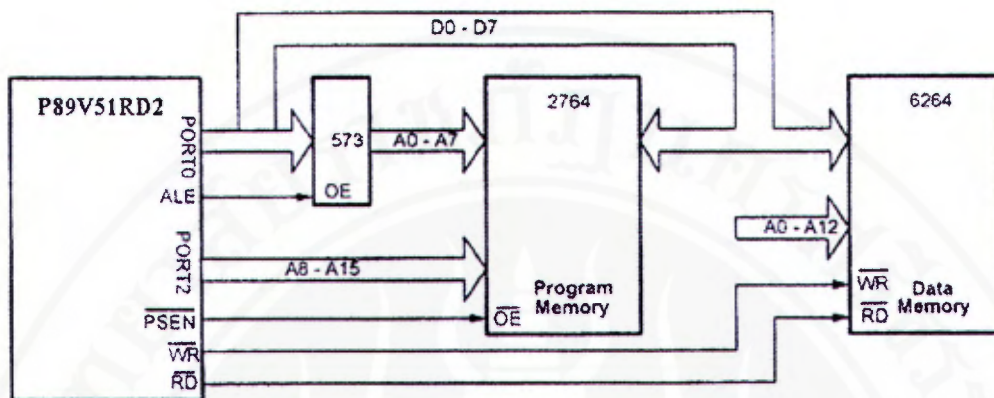
ภาพที่ ค-1 การจัดขาของ P89V51RD2

ตารางที่ 1 รายละเอียดเบื้องต้นของขาใช้งานของไมโครคอนโทรลเลอร์ P89V51RD2

ชื่อขา	ขา ที่	ชนิด	หน้าที่และการทำงาน
Vcc	40	อินพุต	ต่อไฟเลี้ยง +5V
GND	20	อินพุต	ต่อกราวด์
P0.0- P0.7	39- 32	อินพุต/ เอาต์พุต	- ใช้งานเป็นขาพอร์ตอินพุต/เอาต์พุต ถ้าต้องการกำหนดให้ขาพอร์ต 0 ขาดขา หนึ่งเป็นอินพุต สามารถทำได้โดยการเขียนข้อมูล"1" ไปยังบิตที่ต้องการติดต่อ - ใช้ในการติดต่อกับขาแอดเดรสไบต์ต่ำของหน่วยความจำภายนอก(A0-A7) และ ขาข้อมูล(D0-D7) โดยใช้การมัลติเพล็กซ์ เข้าช่วยเพื่อสลับการทำงานให้ เป็นได้ทั้งขาติดต่อแอดเดรสและขาข้อมูลในการติดต่อกับหน่วยความจำ ภายนอก
P1.0- P1.7	1-8	อินพุต/ เอาต์พุต	- ใช้งานเป็นพอร์ตอินพุต/เอาต์พุตสำหรับใช้งานทั่วไป เฉพาะ P1.5-P1.7 สามารถขับกระแสได้สูง 16mA ต่อขา - เป็นขาสัญญาณของไทมเมอร์ 2 และขาสัญญาณ PCA ดังรายละเอียด T2 (P1.0: ขา 1)เป็นขาอินพุตสำหรับนับค่าของไทมเมอร์ 2 และขาเอาต์พุต สัญญาณนาฬิกาT2EX (P1.1: ขา 2)เป็นขาอินพุตสำหรับควบคุมการทำงานของ ไทมเมอร์/เคอร์เตอร์ 2 ECI (P1.2: ขา 3)เป็นขาอินพุตสัญญาณนาฬิกาจากภายนอกสำหรับ โมดูล PCA CEX0 (P1.3: ขา 4)เป็นขาอินพุต/เอาต์พุตภายนอกของวงจรตรวจจับและ เปรียบเทียบสำหรับ PCA โมดูล 0 CEX1 (P1.4: ขา 5) เป็นขาอินพุต/เอาต์พุตภายนอกของวงจรตรวจจับและ เปรียบเทียบสำหรับ PCA โมดูล 1 CEX2 (P1.5: ขา 6) เป็นขาอินพุต/เอาต์พุตภายนอกของวงจรตรวจจับและ เปรียบเทียบสำหรับ PCA โมดูล 2 CEX3 (P1.6: ขา 7) เป็นขาอินพุต/เอาต์พุตภายนอกของวงจรตรวจจับและ เปรียบเทียบสำหรับ PCA โมดูล 3 CEX4(P1.7 : ขา 8) เป็นขาอินพุต/เอาต์พุตภายนอกของวงจรตรวจจับและ เปรียบเทียบสำหรับ PCA โมดูล 4
P2.0- P2.7	21- 18	อินพุต/ เอาต์พุต	- ใช้งานเป็นขาพอร์ตอินพุต/เอาต์พุตสำหรับใช้งานทั่วไป - ใช้ต่อกับขาแอดเดรสไบต์สูงของหน่วยความจำภายนอก(A8-A15) เมื่อติดต่อ ด้วย

ตารางที่ 1 (ต่อ)รายละเอียดเบื้องต้นของขาใช้งานของไมโครคอนโทรลเลอร์ P89V51RD2

ชื่อขา	ขา ที่	ชนิด	หน้าที่และการทำงาน
P3.0- P3.7	10- 17	อินพุต/ เอาต์พุต	-ใช้งานเป็นพอร์ตหน้าที่พิเศษ ดังมีรายละเอียดต่อไปนี้ RxD (P3.0: ขา 10)ใช้เป็นขาอินพุตสำหรับรับข้อมูลจากการสื่อสารแบบอนุกรม TxD (P3.1: ขา 11)ใช้เป็นขาอินพุตสำหรับส่งข้อมูลจากการสื่อสารแบบอนุกรม INT0 (P3.2: ขา 12)ใช้เป็นขาอินพุตสำหรับรับสัญญาณอินเตอร์รัปต์จาก ภายนอกช่อง 0 INT0 (P3.2: ขา 12)ใช้เป็นขาอินพุตสำหรับรับสัญญาณอินเตอร์รัปต์จาก ภายนอกช่อง 1 T0 (P3.4: ขา 14)ใช้เป็นขาอินพุตสำหรับสัญญาณ ไทมเมอร์จากภายนอกช่อง T1 (P3.5: ขา 15)ใช้เป็นขาอินพุตสำหรับสัญญาณอินเตอร์รัปต์จากภายนอกช่อง 1 WR (P3.6: ขา 16)ใช้เป็นขาสัญญาณ WR ในกรณีใช้เชื่อมต่อกับหน่วยความจำ ภายนอก RD(P3.7 : ขา 17)ใช้เป็นขาสัญญาณ RD ในกรณีใช้เชื่อมต่อกับหน่วยความจำ ภายนอก
RESET	9	อินพุต	ใช้ในการรีเซ็ตการทำงานของไมโครคอนโทรลเลอร์ โดยในการป้อนสัญญาณ ลอจิก "1" อย่างน้อยเป็นเวลา 2 แมกซ์ไซเคิล โดยที่วงจรมานีไฟยังค้างทำงาน อย่างปกติ
ALE	30	เอาต์พุต	Address Latch Enable ออกมาทุกๆแมกซ์ไซเคิล ไซเคิล อย่างไรก็ตาม สามารถ ดิสเอเบิลสัญญาณพัลส์นี้ได้ โดยการเซตบิต 0 ของรีจิสเตอร์ AUXR
PSEN	29	เอาต์พุต	Program Store Enable ใช้ในการส่งสัญญาณเพื่อร้องขอติดต่อกับหน่วยความจำ โปรแกรมภายนอก ไมโครจะส่งสัญญาณออกมาที่ขา 2 ครั้ง
EA/Vpp	31	อินพุต	External Access enable/Programming Voltage Input : ใช้สำหรับเลือกการติดต่อกับ หน่วยความจำโปรแกรมภายนอกหรือภายในตัวไมโครคอนโทรลเลอร์ "0" เลือกให้ไมโครติดต่อกับหน่วยความจำโปรแกรมภายนอก "1" เลือกให้ไมโครติดต่อกับหน่วยความจำภายใน
XTAL1	19	อินพุต	ขาอินพุตรับสัญญาณจากวงจรขยายออสซิลเลเตอร์(ขา XTAL2)



ภาพที่ ค-2 หน่วยความจำของ P89V51RD2

2. หน่วยความจำโปรแกรมภายนอก (Program Memory)

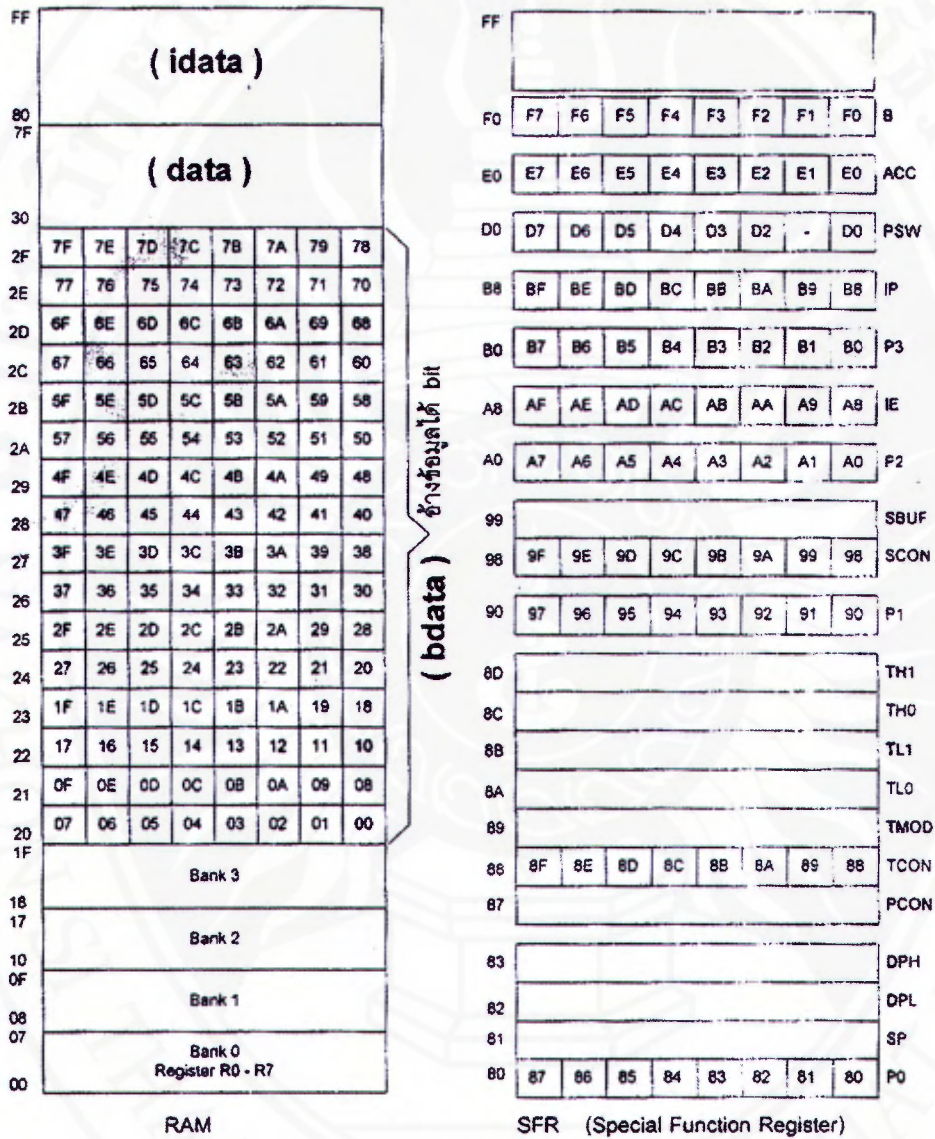
หน่วยความจำชนิดทำหน้าที่เก็บคำสั่งของผู้เขียน โปรแกรมส่วนใหญ่จะใช้ EPROM เป็นตัวเก็บ โดยมีสัญญาณ PSEN เป็นขาสัญญาณเพื่อติดต่อกับ EPROM สามารถอ้างหน่วยความจำได้ 64 กิโลไบต์ ชื่อของ EPROM นั้นส่วนใหญ่จะขึ้นด้วย 27 แล้วตามด้วยขนาดของหน่วยความจำ เช่น 2764 หมายถึง 64 คือขนาดหน่วยความจำ โดยเอา $64/8 = 8$ กิโลไบต์ เราก็จะได้ขนาดของ EPROM ตัวนี้ จากนั้นได้มีการ พัฒนา MCS-51 โดยเอา EPROM ใส่เข้าไปในตัว MCS-51 แล้วตั้งชื่อเบอร์ใหม่ว่า 8751 และก็มีการพัฒนาขึ้นไปอีกคือการนำเอา Flash ROM ซึ่งสามารถลบและเขียนด้วยไฟฟ้าเข้าไปใน MCS-51 แล้วตั้งชื่อใหม่ว่า 8951 จนเป็นที่นิยมในปัจจุบัน

3. หน่วยความจำข้อมูลภายนอก (Data Memory)

หน่วยความจำชนิดนี้ทำหน้าที่เก็บข้อมูลต่างๆที่เราต้องการ ซึ่งก็คือ RAM ที่ต่ออยู่ภายนอกสามารถเข้าถึงข้อมูลโดยใช้ขา RD , WR ในการเขียนและอ่าน Data จาก RAM MCS-51 สามารถอ้างหน่วยความจำข้อมูลภายนอกได้ 64 กิโลไบต์ เช่นกันส่วนใหญ่หน่วยความจำนี้จะถูกจัด Address ให้ถัดจาก Program Memory (EPROM) RAM ที่ส่วนใหญ่จะเป็น Static RAM เบอร์จะขึ้นด้วย หมายเลข 61,62,64,68 แล้วตามด้วยขนาดของหน่วยความจำเช่น 6264 หมายถึง 64 คือขนาดของหน่วยความจำ โดยเอาค่า $64/8 = 8$ กิโลไบต์ เราก็จะได้ขนาดของ RAM

4. หน่วยความจำโปรแกรมภายใน (Internal RAM)

เป็นหน่วยความจำโปรแกรมภายในซึ่งเป็นRAMในหน่วยความจำนั้นจะประกอบด้วย Register ซึ่งจะมี Address ประจำตัวทำหน้าที่ใช้งานแตกต่างกันไปตามการใช้งาน



ภาพที่ ค-3 รีจิสเตอร์ของหน่วยความจำภายใน